

Metal frame for ceiling

Vinh Tuong metal frame stands for quality, strength, and durability through a range of components that provide the backbone for our tested and warranted wall, ceiling, lining, and encasement systems. Benefits of Vinh Tuong metal frame:

- Galvanized steel that will not warp or rust
- Easy to cut on site, saving time and creating no mess
- Improved resistance to screw pull-out
- Lightweight - easy to handle on site and build to greater height

VT-EliteLINE

Product Characteristics

VT-EliteLINE is T-bar frame with black trench along the bars to enhance the strength.



Applications

Used as part of construction of exposed grid systems, for narrow reveal edge tiles.

Manufacturing Standards

ASTM C635:13a

Product matrix

Product name	Sectional dimension W x H (mm)	Thickness (mm)	Length (mm)
VT-EliteLINE 	14 x 41	0.34	3600
VT-EliteLINE 	14 x 41	0.34	1200 600

VT-SmartLINE

Product Characteristics

VT-SmartLINE is T-bar frame with black trench along the bars to enhance the strength.



Applications

Used as part of construction of exposed grid systems, for trim edge and reveal edge tiles.

Manufacturing Standards

ASTM C635:13a

Product matrix

Product name	Sectional dimension W x H (mm)	Thickness (mm)	Length (mm)
VT-SmartLINE 	24 x 32	0.32	3600 3660
VT-SmartLINE 	24 x 32	0.32	1220 1200 610 600

Metal frame for ceiling

VT-SlimLINE

Product Characteristics

VT-SlimLINE is slim T-bar frame suitable for narrow reveal edge tiles.



Applications

Used as part of construction of exposed grid systems.

Manufacturing Standards

ASTM C635:13a

Product matrix

Product name	Sectional dimension W x H (mm)	Thickness (mm)	Length (mm)
VT-SlimLINE	14 x 38	0.32	3600
			
VT-SlimLINE	14 x 28	0.32	600 1200
			

VT-TopLINE Plus

Product Characteristics

VT-TopLINE Plus is T-bar frame in GypDecor/GypDecor AQUA/DuraDecor systems.

New ratchet: tighter connection, sag resistance



Applications

Used as part of construction of exposed grid systems, for trim edge and reveal edge tiles.

Manufacturing Standards

ASTM C635:13a

Product matrix

Product name	Sectional dimension W x H (mm)	Thickness (mm)	Length (mm)
VT-TopLINE Plus	24 x 38	0.3	3660 3600
			
VT-TopLINE Plus	24 x 28	0.3	1220 1200 610 600
			

Metal frame for ceiling

VT-FineLINE Plus

Product Characteristics

VT-FineLINE Plus is an economical frame for T-bar ceiling system.
New ratchet: tighter connection, sag resistance



Applications

Used as part of construction of exposed grid systems, for trim edge, and reveal edge tiles.

Manufacturing Standards

ASTM C635:13a

Product matrix

Product name	Sectional dimension W x H (mm)	Thickness (mm)	Length (mm)
VT-FineLINE Plus	24 x 38	0.27	3660 3600
			
VT-FineLINE Plus	24 x 28	0.27	1220 1200 610 600
			

VTC-OMEGA

Product Characteristics

VTC-OMEGA is high load bearing frame, using clip to connect main components. Flexible spacing, suitable for all kinds of board (including Gyptone)



Applications

Used as part of construction of concealed ceiling systems, where requires high load-bearing, or multiple layers of board.

Manufacturing Standards

ASTM C635:13a

Product matrix

Product name	Sectional dimension W x H (mm)	Thickness (mm)	Length (mm)
VTC-OMEGA200	20.5 x 30	0.5	3660
			
VTC-OMEGA204	37 x 23	0.44	3660
			

Metal frame for ceiling

VTC-SERRA

Product Characteristics

VTC-SERRA is high load bearing frame in direct fixing ceiling systems, including furring channel firmly connected by tenons on carrying channel.



Applications

Used as part of construction of concealed ceiling systems, where requires high load-bearing or multiple layers of board.

Manufacturing Standards

ASTM C635:13a

Product matrix

Product name	Sectional dimension W x H (mm)	Thickness (mm)	Length (mm)
VTC-SERRA BV1	25.5 X 39	0.72	3660
			
VTC-SERRA FM19	45 x 19.5	0.44	3660
			

VTC-TriFLEX

Product Characteristics

VTC -TriFLEX is high load bearing frame in clip fixing ceiling systems, allowing flexible spacing.

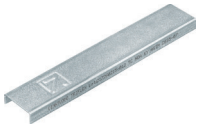

Applications

Used as part of construction of concealed ceiling systems, where requires high load-bearing or multiple layers of board.

Manufacturing Standards

ASTM C635:13a

Product matrix

Product name	Sectional dimension W x H (mm)	Thickness (mm)	Length (mm)
VTC-TriFLEX3812	12 x 38	1.15	3660
			
VTC-TriFLEX5019	50 x 19	0.5	4000
			

Metal frame for ceiling

VTC-BASI

Product Characteristics

VTC-BASI is direct fixing frame in GypCeil/ GypCeil AQUA systems, including furring channel firmly connected by tenons on carrying channel.

Applications

Used as part of construction of concealed ceiling systems.

Manufacturing Standards

ASTM C635:13a

Product matrix

Product name	Sectional dimension W x H (mm)	Thickness	Length (mm)
VTC-BASI3050	20 X 28	0.72	3660



VTC-ALPHA4000 VTC-BASI4000	35 x 14.5	0.4	4000
-------------------------------	-----------	-----	------



VTC-ALPHA

Product Characteristics

VTC-ALPHA is clip fixing frame in GypCeil/ GypCeil AQUA systems, using simple clip component to connect carrying channel to furring channel. With flexible spacing, it is suitable for all kinds of board (including Gyptone)

Applications

Used as part of construction of concealed ceiling systems. Good for curved ceiling feature.

Manufacturing Standards

ASTM C635:13a

Product matrix

Product name	Sectional dimension W x H (mm)	Thickness (mm)	Length (mm)
VTC-ALPHA4000	35 x 14.5	0.4	4000



Metal frame for wall

VT V-Wall



Product Characteristics

VT V-Wall is metal frame for GypWall systems, with different widths, and suitable for various wall thicknesses. Especially, installation of M&E systems within the cavity will become easier with pre-punched holes of VT V-Wall C.

Applications

Designed to be used together to form the GypWall systems.

Product matrix

Product name	Width (mm)	Height (mm)	Thickness (mm)	Length (mm)
 VT V-Wall C	51/ 63/ 75	33; 35	0.5	3000
	90/ 100		0.6	
	125/ 150		0.8	
 VT V-Wall U	52/ 64/ 76	32	0.5	2700
	92/ 102		0.6	
	127/ 152		0.8	

VT V-Sound



Product Characteristics

VT V-Sound is acoustic metal channel for GypWall QUIET systems. Its special profile enhances sound insulation of drywall system.

Applications

Designed to be used together with plasterboard to form the GypWall QUIET systems.

Product matrix

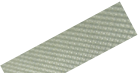
Product name	Width (mm)	Height (mm)	Thickness (mm)	Length (mm)
 VT V-Sound	90	43; 45	0.6	3000
 VT V-Wall U	92	32	0.6	2700

VT Flat Strap

Product Characteristics

Used to maintain board fixings along horizontal joints and connect twin frames.

Product matrix

Product name	Width (mm)	Thickness (mm)	Length (mm)
 VT Flat Strap	0.7	0.6	3000