


GypDecor/ GypDecor AQUA/ DuraDecor

GypDecor/ GypDecor AQUA/ DuraDecor ceiling are lightweight ceiling systems available in T-bar framing. It presents an attractive

pre-finished surface by selecting plaster-board tile or calcium silicate tile, available in painted finish and PVC laminated finish.



Fixing 	Application	Load capacity*		
		Point load Kg	Linear load Kg/m	Distributes load Kg/m ²
T-bar	Dry/Wet	2 - 6.5	3 - 12	12 - 18

Key facts

- Durable ceiling tiles
- Grid configurations: 600x600mm, 610x610mm, 600x1200mm, 610x1220mm
- Easy to install
- Wide range of ceiling tiles giving textured surface
- Easy cleaning with PVC laminated finish

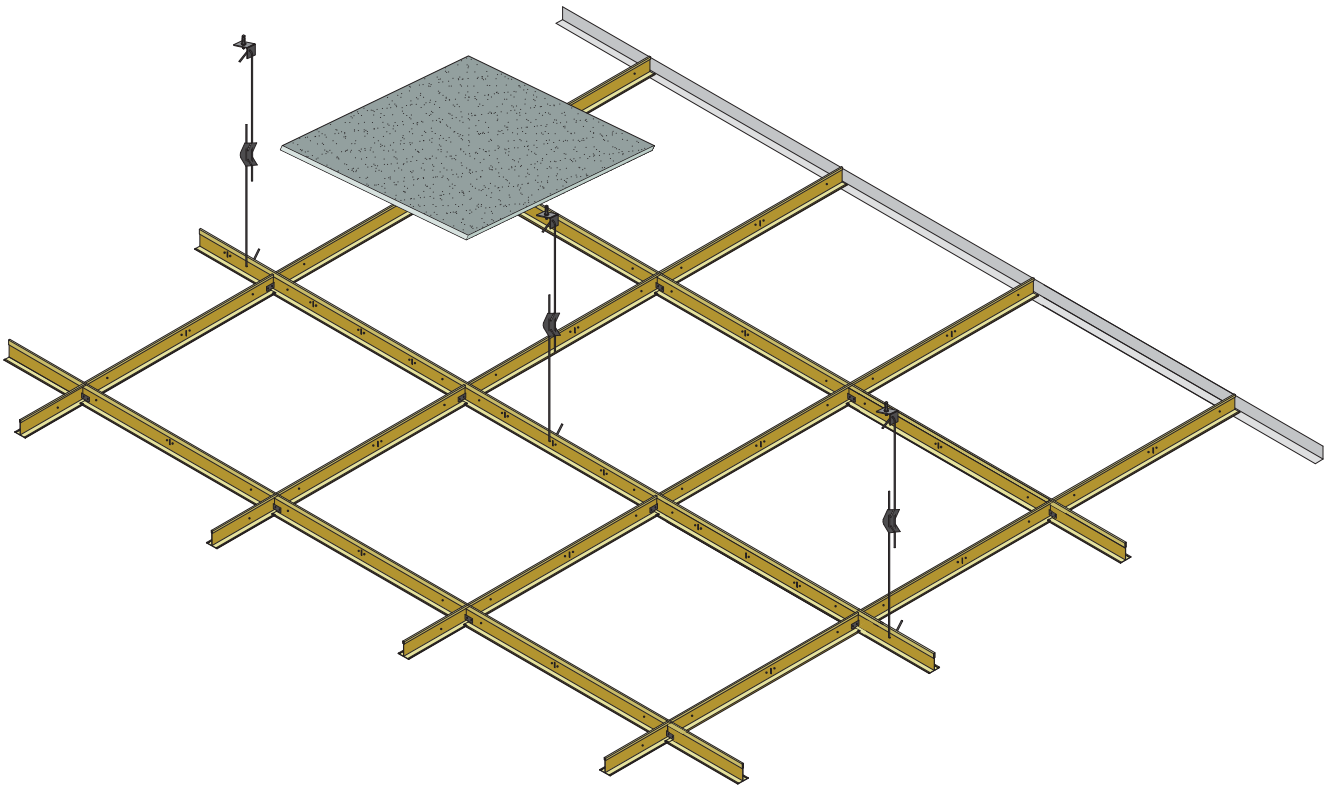
Applications

Due to the design flexibility of T-bar system, this can be tailored to meet the requirements of a wide range of applications

Sector

- ✓ Office
- ✓ Healthcare
- ✓ Education
- ✓ Residential
- ✓ Industry

VT-TOPLINE PLUS -tiled board



System	Board type	Application	Load capacity*		
			Point load Kg	Linear load Kg/m	Distributes load Kg/m ²
GypDecor	Vinh Tuong Decor Tile Gyproc Classic 9mm	Dry	6.5	12	18
GypDecor AQUA	Vinh Tuong Decor Tile Gyproc Moisture Resistant 9mm	Wet	6.5	12	18
DuraDecor	Vinh Tuong Decor Tile DuraFlex 3.5mm	Wet	2	3	12

Note
 *Based on a limiting deflection of L/240, refer to Strength and Robustness Principle page 29. The quoted performances are achieved only if the system comprises only genuine branded Saint-Gobain Vietnam components: Gyproc plasterboards, Vinh Tuong metal framings, Vinh Tuong accessories, Gyp-Filler Jointing Compound and any other materials specified in the tested systems.

System components

Frame Products



Main runner
VT-Top Line Plus
3600/3660



Cross runner
VT-Top Line Plus
600/610/1200/1220



Wall angle
VT 18/22

Board products



Vinh Tuong Decor Tile
Gyproc Classic 9mm



Vinh Tuong Decor Tile
Gyproc Moisture
Resistant 9mm



Vinh Tuong Decor Tile
DuraFlex 3.5mm

Fixing and Finishing Products



Nail



Expansion Bolt



Suspension Rod



Rod Joiner



Soffit Cleat

Installation overview



Determine the height at which the suspended ceiling will be installed. Fix wall angle VT-18/22 on the wall with appropriate fixing.

Install the suspension rod to the main runner VT-Topline Plus 3660/3600 at every 1000mm, with spacing 1220/1200mm between the main runners, ensuring maximum 610/600mm spacing from the wall angle VT-18/22.

Determine the location of the cross runner VT-Topline Plus 1220/1200, VT-Topline Plus 610/600 by the configuration

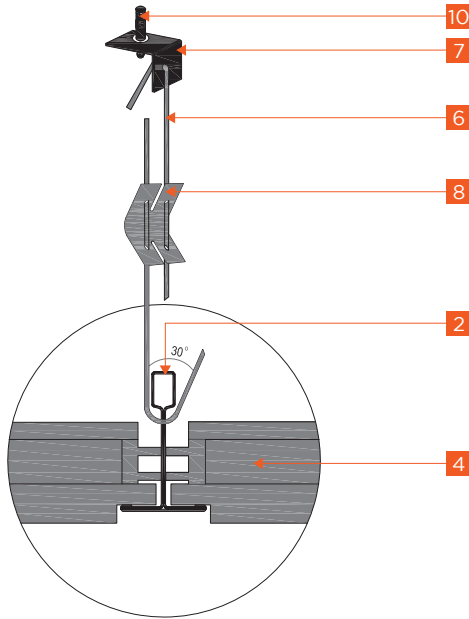
you selected: either 600x600mm, 610x610mm or 600x1200mm, 610x1220mm, install the cross runner by inserting the ends of the cross runner into the slots in the main runner.

Starting from the centres of the room, drop the ceiling tiles into position by tilting them slightly, lifting them above the framework and letting them fall into place.

For full installation details, please refer to the Site Book.

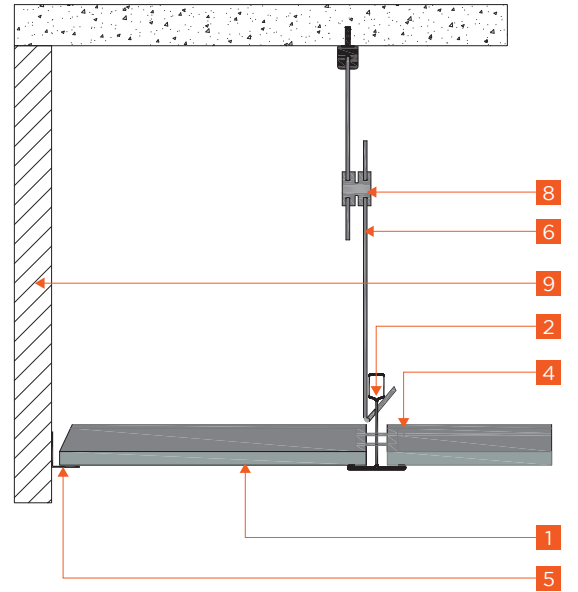
Construction Details

1 T-bar fixing detail

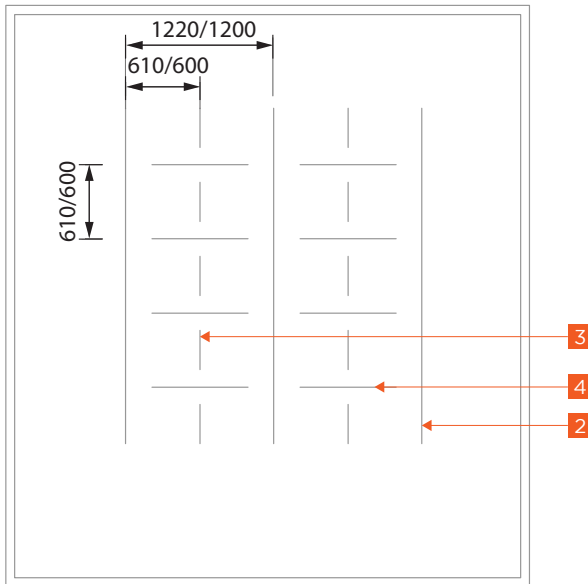


Connection detail to perimeter wall

2

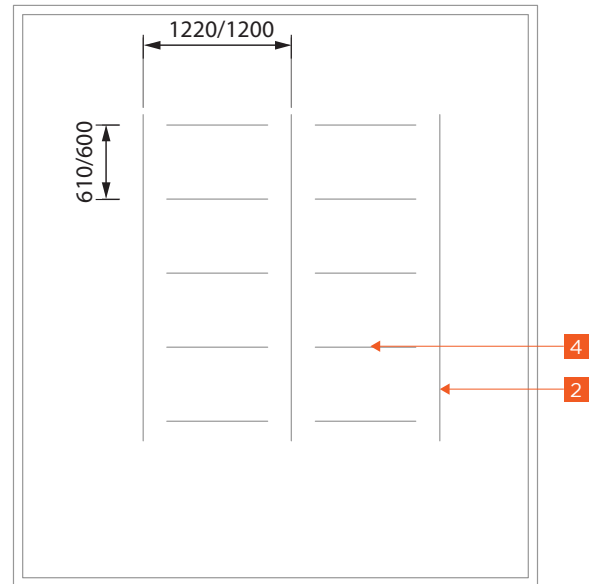


3 Gird layout for 610x1220mm or 600x1200mm



Gird layout for 610x610mm or 600x600mm

4



- 1 Plasterboard tile or calcium silicate tile
- 2 Main runner VT Topline Plus 3660/3600
- 3 Cross runner VT Topline Plus 610/600
- 4 Cross runner VT Topline Plus 1220/1200
- 5 Wall Angle VT18/22
- 6 Suspension Rod

- 7 Soffit Cleat
- 8 Rod Joiner
- 9 Existing wall
- 10 Expansion Bolt

